

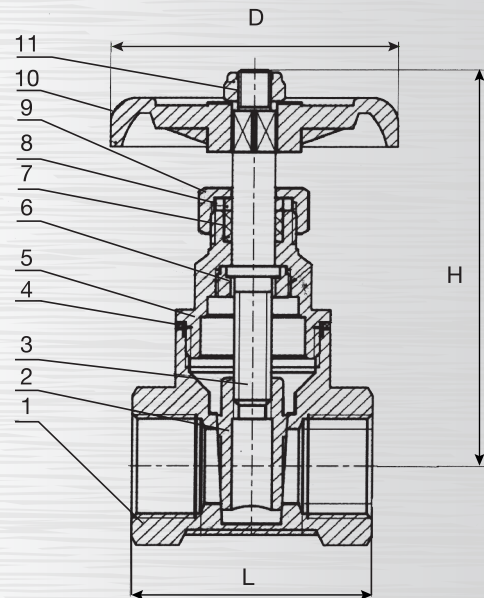


DZR BRASS GATE VALVE, NON RISING STEM

Model : V&G

Operating Pressure and Temperature

Brass Material	DZR
Working Temperature	-20°C to 120°C
Working Pressure	20 BAR
Suitable Media	Water & Oil



SPECIFICATION

NO	COMPONENT	MATERIAL
1	Body	DZR
2	Wedge	DZR
3	Stem	Brass
4	Washer	PTFE
5	Bonnet	DZR
6	Screw Ring	Brass
7	Packing	PTFE
8	Gasket	Brass
9	Gland Nut	Brass
10	Handwheel Nut	Aluminium
11	Lock Nut	Iron

DIMENSIONS

Size		L	H	D
(mm)	Inch	mm	mm	mm
15	½	45	76.5	54.5
20	¾	48	88	59.2
25	1	54	97	64.5
32	1 - ¼	60	112	74
40	1 - ½	64	130	80
50	2	72	150	89

Note :

1. DZR is dezincification resistant copper alloy.
2. Design and specification are subject to change without prior notice.

Distributed By :