

FULL LUG BUTTERFLY VALVE

Model : BV-FL

Operating Pressure and Temperature

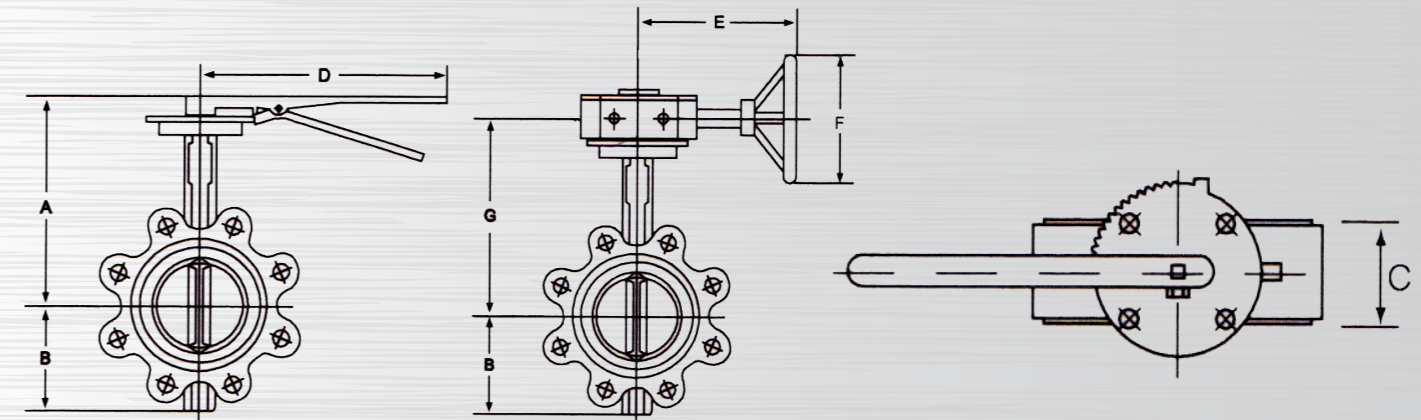
Working Pressure	1.6 Mpa / 2.0 Mpa
Testing Pressure	Shell : 2.4 Mpa / 3.0 Mpa Seat : 1.76 Mpa / 2.2 Mpa
Working Temperature	EPDM : -20°C to 110°C NBR : -10°C to 80°C
Suitable Media	Water, Oil & Gas

Note :

1. For JIS B2043 10K/16K Flange
2. Face to face dimension to ISO 5752/BS5155/BS EN 593
3. Valve 200mm and above are supplied as standard gear operator
4. Top Flange conforms to ISO 5211

Material Specification

Component	Material	JIS
Body	Cast Iron	FC 250
	Ductile Iron	FCD 400
Shaft	Stainless Steel 410	SUS 410
	Stainless Steel 431	SUS 431
	Stainless Steel 316	SUS 316
Disc	Ductile Iron	FCD 40
	Aluminium Bronze	ALBC 2
	Stainless Steel 304	SCS 13
	Stainless Steel 316	SCS 14
Seat Ring	EPDM NBR	
O-Ring	NBR	
Bushing	Lubricated Bronze	



Dimension

Size (mm)	A	B	C	D
50	172	80	42	267
65	184	89	46	267
80	191	95	46	267
100	188	114	52	267
125	200	127	54	267
150	216	139	56	267
200	258	175	61	359
250		203	66	-
300		242	77	-
350		267	77	-

Size (mm)	E	F	G	Cv90°
50	153	150	236	135
65	153	150	250	220
80	153	150	256	300
100	153	150	257	600
125	153	150	288	1025
150	153	150	301	1580
200	250	300	346	3140
250	250	300	378	5340
300	227	300	420	8250
350	227	300	451	11918

Note :

1. Actuator mounting flange conforms to ISO 5211 drilling.
2. The butterfly valve can be supplied with electric or pneumatic actuator.
3. Pneumatic actuators are available in spring return or double acting.

4. Micro switch / limit switch box are available upon request.
5. Other flange standards available upon request.

Other range available upon request
Specifications are subject to change without prior notice

Distributed By :

