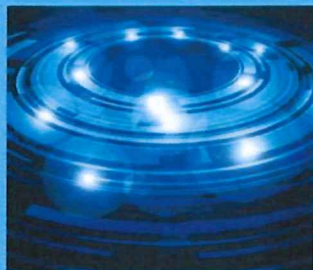


## RESILIENT SEATED GATE VALVE

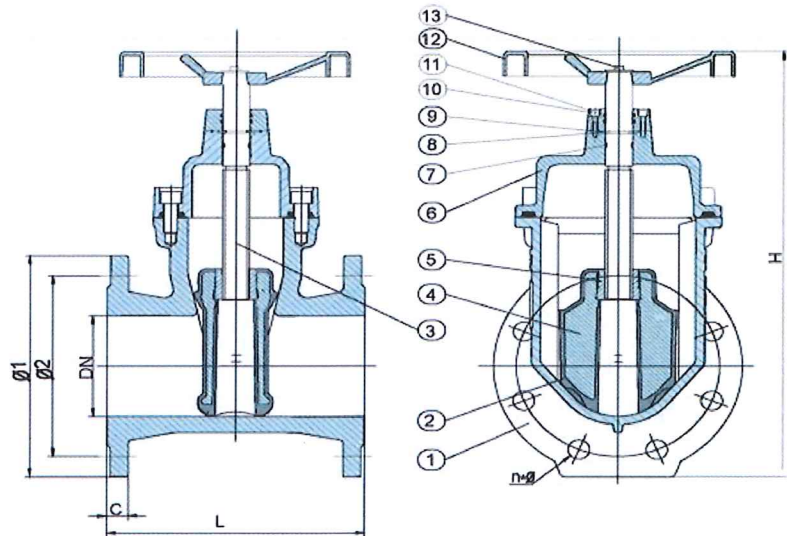


- Inside Screw
- Bolt Bonnet
- Non-Rising Stem
- Rubber Encapsulated Wedge
- Low-Torque Operation
- Flanged Ends

| BASIC DESIGN STANDARDS |             |
|------------------------|-------------|
| BASIC DESIGN           | BS5163      |
| FACE TO FACE           | BS5163      |
| FLANGES                | BS4504 PN16 |
| TESTING                | BS6755      |



### Non-Rising Stem Gate Valve with Changeable O-Ring (BS5163)



### TECHNICAL DATA

|                  |              |              |     |
|------------------|--------------|--------------|-----|
| Nominal Diameter |              | DN40 - DN500 | mm  |
| Nominal Pressure |              | 1.6          | Mpa |
| Testing Pressure | Shell Test   | 2.4          |     |
|                  | Sealing Test | 1.76         |     |

### STANDARD MATERIALS OF MAIN PARTS

| No. | Part              | Material            |
|-----|-------------------|---------------------|
| 1   | Body              | Ductile Iron        |
| 2   | Seat              | EPDM                |
| 3   | Shaft             | Stainless Steel 420 |
| 4   | Disc              | Ductile Iron        |
| 5   | Wedge Nut         | Brass               |
| 6   | Bonnet            | Ductile Iron        |
| 7   | O-Ring            | EPDM                |
| 8   | Thrust Washer     | Brass               |
| 9   | Sealing Ring      | EPDM                |
| 10  | Socket Head Screw | Carbon Steel        |
| 11  | O-Ring            | EPDM                |
| 12  | Hand Wheel        | Ductile Iron        |
| 13  | Stem Nut          | Brass               |

| Size  | DN    | L   | H    | DIN PN10/16   |               |                  | C  |
|-------|-------|-----|------|---------------|---------------|------------------|----|
|       |       |     |      | Ø1            | Ø2            | N*Ø              |    |
| DN40  | Ø 40  | 165 | 285  | Ø 150         | Ø 110         | 4 - Ø 18         | 17 |
| DN50  | Ø 50  | 178 | 300  | Ø 165         | Ø 125         | 4 - Ø 18         | 18 |
| DN65  | Ø 65  | 190 | 345  | Ø 185         | Ø 145         | 4 - Ø 18         | 18 |
| DN80  | Ø 80  | 203 | 390  | Ø 200         | Ø 160         | 4/8 - Ø 18       | 18 |
| DN100 | Ø 100 | 229 | 430  | Ø 220         | Ø 180         | 8 - Ø 18         | 19 |
| DN125 | Ø 125 | 254 | 510  | Ø 250         | Ø 210         | 8 - Ø 18         | 19 |
| DN150 | Ø 150 | 267 | 565  | Ø 285         | Ø 240         | 8 - Ø 22         | 19 |
| DN200 | Ø 200 | 292 | 680  | Ø 340         | Ø 295         | 8/12 - Ø 22      | 22 |
| DN250 | Ø 250 | 330 | 820  | Ø 395 / Ø 405 | Ø 350 / Ø 355 | 12 - Ø 23 / Ø 26 | 22 |
| DN300 | Ø 300 | 356 | 930  | Ø 445 / Ø 460 | Ø 400 / Ø 410 | 12 - Ø 23 / Ø 26 | 26 |
| DN350 | Ø 350 | 381 | 1020 | Ø 505 / Ø 520 | Ø 460 / Ø 470 | 16 - Ø 23 / Ø 26 | 30 |
| DN400 | Ø 400 | 406 | 1100 | Ø 656 / Ø 580 | Ø 515 / Ø 525 | 12 - Ø 26 / Ø 30 | 30 |
| DN500 | Ø 500 | 457 | 1250 | Ø 670 / Ø 715 | Ø 620 / Ø 650 | 20 - Ø 26 / Ø 33 | 32 |