

## TWIN-SPHERE CONNECTORS

### MODEL : SERIES TU

WISCO - SERIES TU Is Designed For Supply/Distribution Pipeline Service Or To Connect Piping To Specific Equipment Application Such As : Pumps, Chillers, Cooling, Cooling Towers, Compressors, Blowers, Fans Absorption Machines. Etc. Installed Next To Mechanical Equipment Or Between The Anchor Points Of Piping System, Specify The WISCO - SERIES TU To :

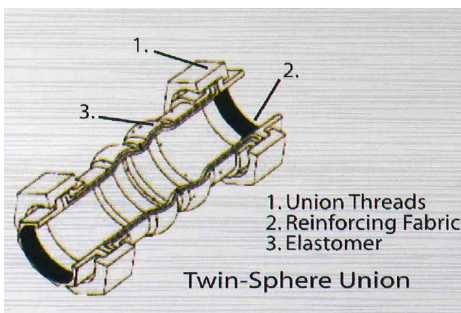
- Absorb Pipe / Movement / Stress
- Decrease System Noise
- Isolate Vibration
- Compensate Alignment / Offset
- Eliminate Electrolysis
- Protect Against Start Up / Surge Forces

The **WISCO-SERIES TU** Is Engineered For Tough, Demanding Industrial And Commercial Application, As Found In Air-Conditioning- Heating And Ventilating Systems, Chemical - Petrochemical And Industrial Process Piping System, Power Generating Plants, Steel Mills, Marine Service, Pulp & Paper Systems, Water - Wastewater Sewage And Pollution Control System



### MATERIAL SPECIFICATION

Item	Part	Material
1	UNION	FB 32
2	Reinforcing Cloth	Nylon Fabric
3	Elastomer	Synthetic Rubber



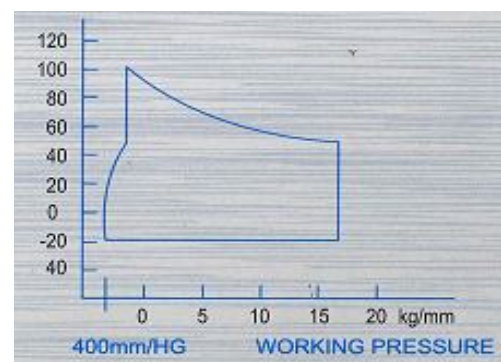
### REFERENCES

1. Elastomer Materials - Neoprene, Butyl, Nitrile, EPDM, Hypalon, SBR, Natural Rubber For Your Specification.
2. Union - Standard Item Employs BS UNION With Materials FB 32 And FCD 40. Also Can Supply ANSI, DIN And Other Standard.
3. Applicable Fluids - Water, Warm Water, Seawater, Weak Acids, Alkalis, Etc.
4. 1 PSIG = 14.25 kg/cm<sup>2</sup>

**Control Unit Cable Must Be Installed When Pressure (Test Surge, Operating, Starting a Pump, Etc.) Exceeds The Rating**

### OPERATING CONDITIONS

Size I.D.	1/2" ~ 2" (15mm ~ 50mm)	
	PSIG	kPa
Working Pressure	228	1,569
Burst Pressure	711	4,905
Pressure Rating	90	621
Vaccum Rating	400mm/Hg	
Temperature Range	-20°C ~100°C / -4F° ~ 212°F	



## DIMENSION AND MOVEMENTS

Item No.	Size I.D.	L (mm)	Compression (mm)	Extension (mm)	Lateral (mm)	Angular
TU 1/2	1/2 inch (15mm)	203	15	6	15	20°
TU 3/4	3/4 inch (20mm)	203	15	6	15	20°
TU 1	1 inch (25mm)	203	15	6	15	20°
TU 1-1/4	1-1/4 inch (32mm)	203	15	6	15	20°
TU 1-1/2	1-1/2 inch (40mm)	203	15	6	15	15°
TU 2	2 inch (50mm)	203	15	6	15	15°

Other range available upon request

Specifications are subject to change without prior notice